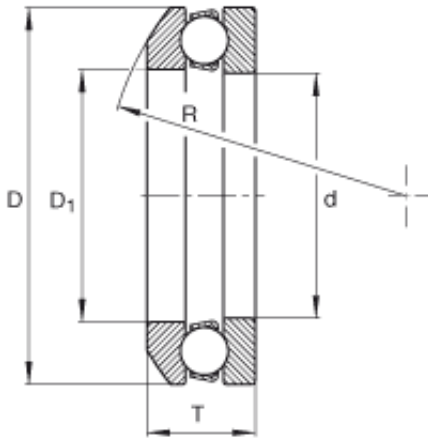




Spherco BEARING LTD

Natural/Satin Finish Sanden Type 508 A/C Conditioning Compressor V-Belt Pulley

Bearing No. 508



508 Bearing 2D drawings and 3D CAD models

Size	40x85x44 mm
Bore Diameter	40 mm
Outer Diameter	85 mm
Width	44 mm
d	1,575 inch
d	40 mm
D	3,347 inch
D	85 mm
T	1,732 inch
T	44 mm
D ₁	1,654 inch
D ₁	42 mm
R	70 mm
m	2,706 lbs / Weight
m	1,227 kg / Weight
C _a	20000 lbf / Dynamic load rating (axial)
C _a	89000 N / Dynamic load rating (axial)
C _{0a}	37000 lbf / Static load rating (axial)
C _{0a}	163000 N / Static load rating (axial)